

## TECHNICAL SPECIFICATIONS

**Dimensions:** 41,9 cm width  
38,8 cm depth  
9,2 cm height

**Seat:** Texturized injected polypropylene  
Low seat without backrest.

**Fixation:** Three fixing points directly to the floor, concealed by plugs. The seat sits on the floor, with the front flush with the stand.

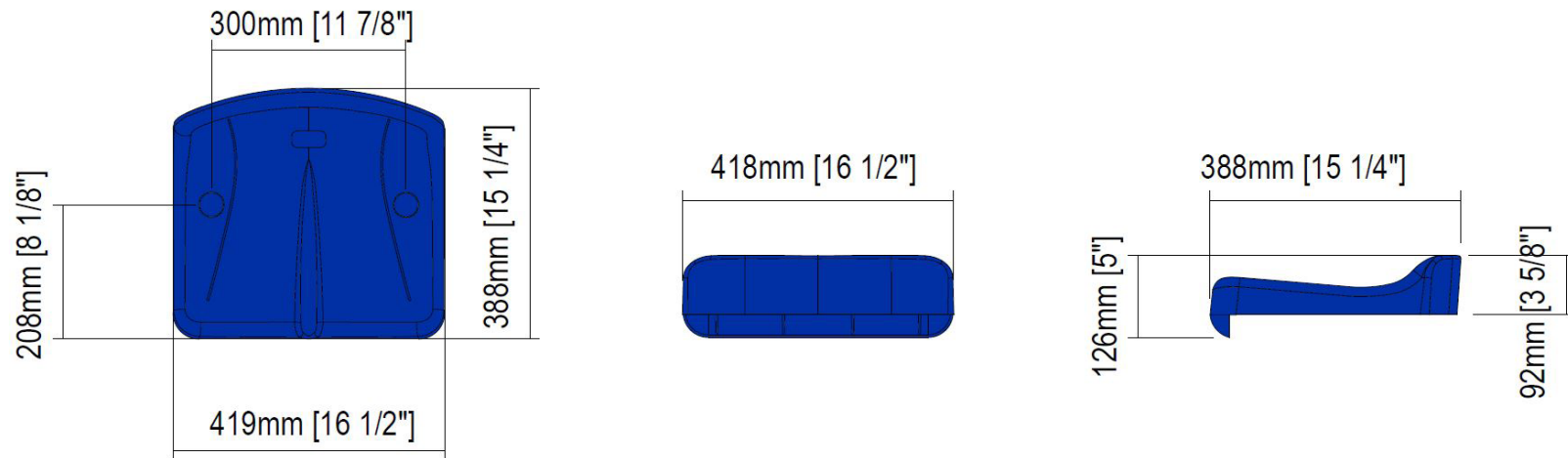
**Liquids discharge:** This cut prevents the accumulation of liquids on the seat and facilitates quick drying and cleaning.

**Volume:** 0.015 m<sup>3</sup> per unit

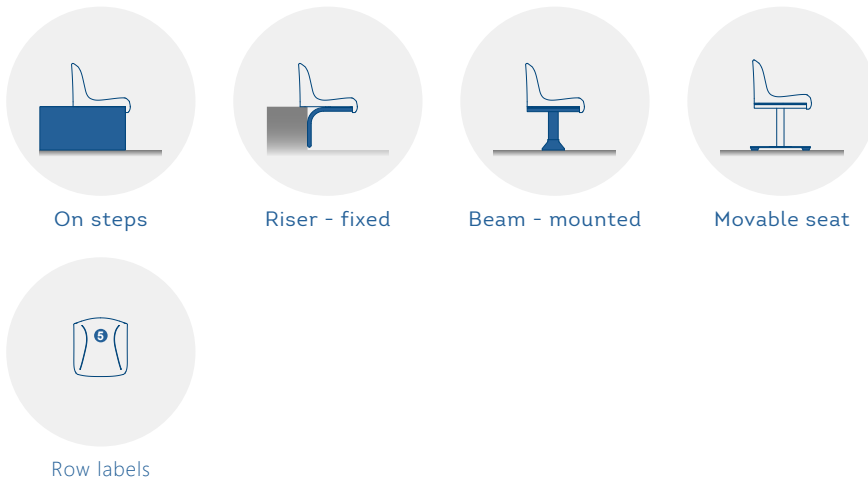
**Weight:** 1.150 Kg



**DRAWING**



**OPTIONS**



**CERTIFICATES**

	Plastic	Seat
UNE 23.727-90 IR (M2 / M3) Opcional	●	
UNE EN 12727:01 Uso Público Severo (Nivel 4)		●
EN 1021-1 and EN 1021-2: Fire Classification		●



Euro Seating reserves the right to modify the dimensions and characteristics without prior notice. All dimensions and specifications are given for information purposes only.