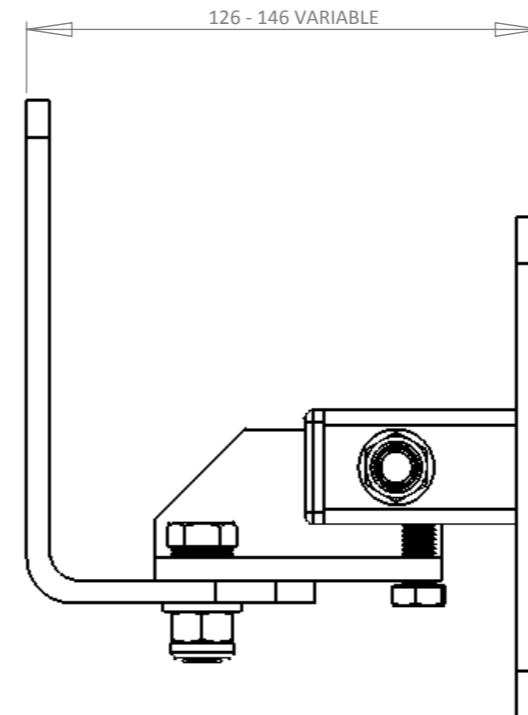
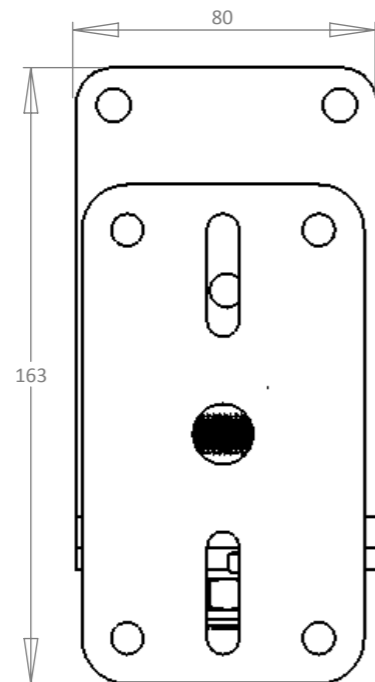
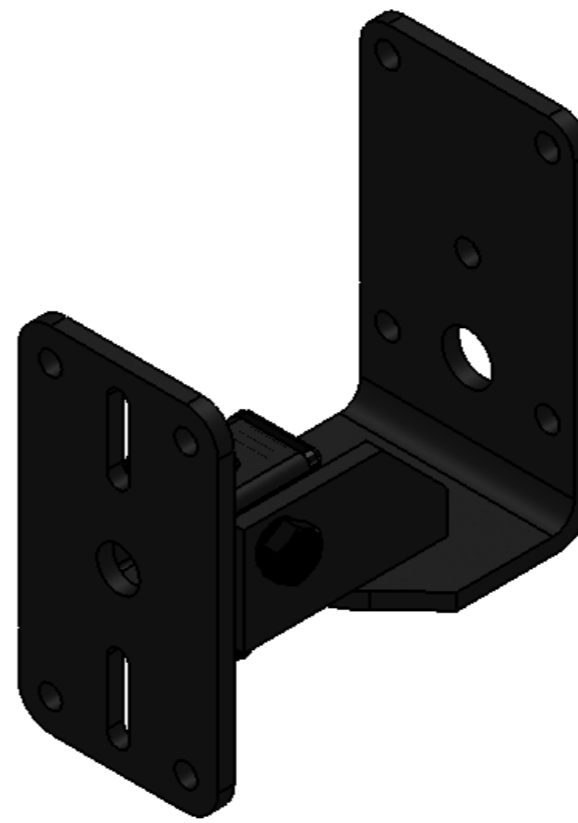
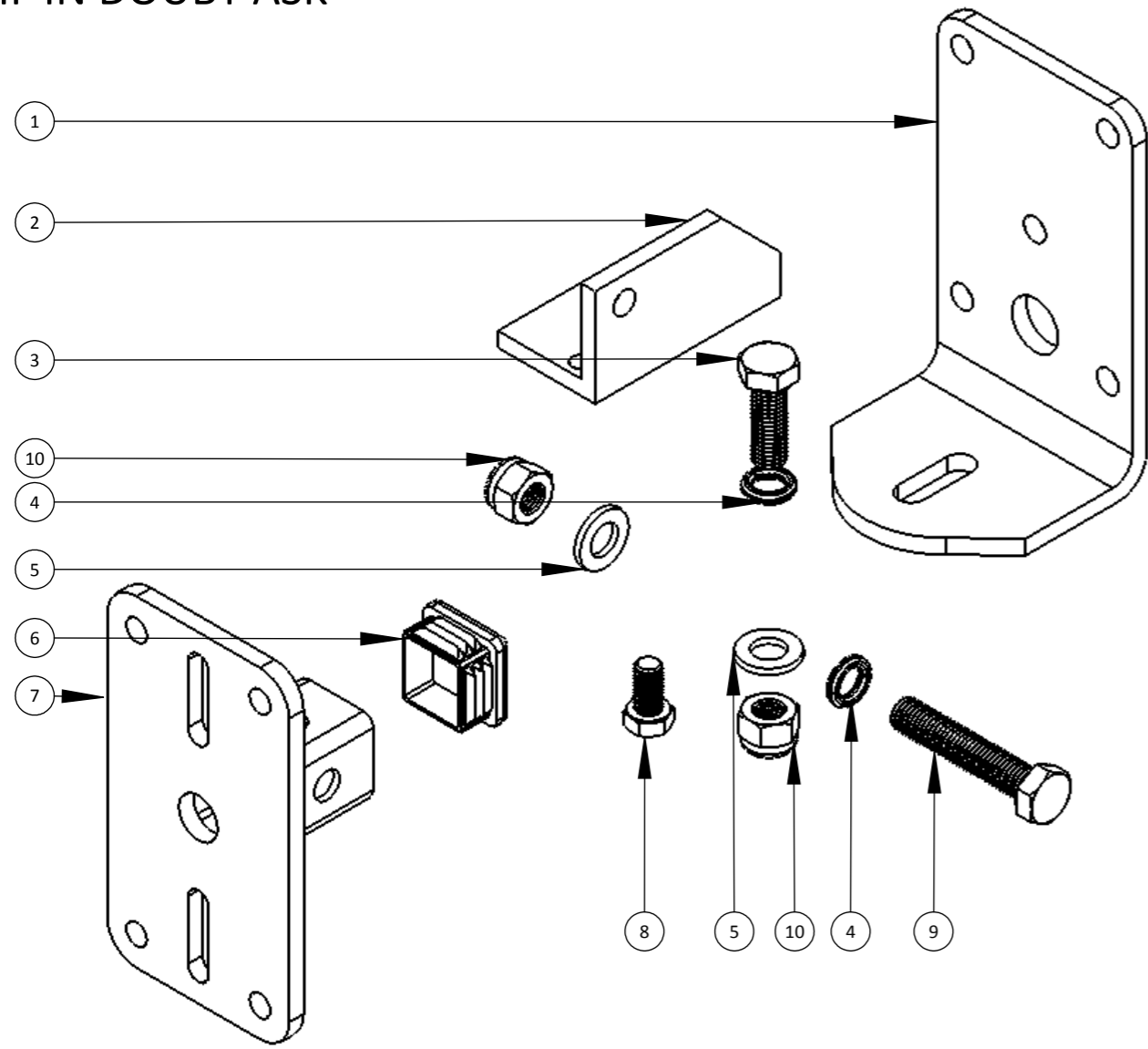


IF IN DOUBT ASK



DEBUR AND BREAK SHARP EDGES		DO NOT SCALE DRAWING	
UNLESS OTHERWISE SPECIFIED: DIMENSIONS ARE IN MILLIMETRES TOLERANCES: LINEAR: xx ANGULAR: xx		TITLE: WME75-B	
MATERIAL: AS SHOWN		PART NO: WME75-B	
FINISH: AS SHOWN		Sheet 1 of 1	
WEIGHT: 207.37		SCALE: 1:2	A3
NAME	SIGNED	DATE	
DRAWN			
CHK'D			
APPV'D			
Comments:			

All rights reserved. This drawing and all information contained herein is the property of Powerdrive Drum Company Ltd and as such may not be copied or reproduced, in whole or in part, without prior written agreement.

PART NO.	ITEM NO.	DESCRIPTION	QTY.
2001-103	1	Bracket Wall MD M1185	1
1001-200	2	Angle Swivel & Tilt 40mm M1183	1
7031-351	3	Set Screw M10 x 30mm Hex Head B344	1
7041-302	4	Washer M10 Spring Sq Section B202	2
7041-300	5	Washer M10 B346	2
2011-250	6	End Cap 30mm Sq x 2.5mm Tube B246	1
3011-204	7	Plate Type 75 Welded To 30mm Sq x 2.5mm M1230	1
1050-703		Plate 75 Type M815	1
2040-704		Pillar Tilter 30mm Sq x 2.5mm M519	1
7031-330	8	Set Screw M8 x 16mm Hex Head B397	1
7031-354	9	Set Screw M10 x 55mm Hex Head B361	1
7011-302	10	Nut M10 Nylon Insert Thin Type B347	2